

DL1001

AUDIO VIDEO DATALINK

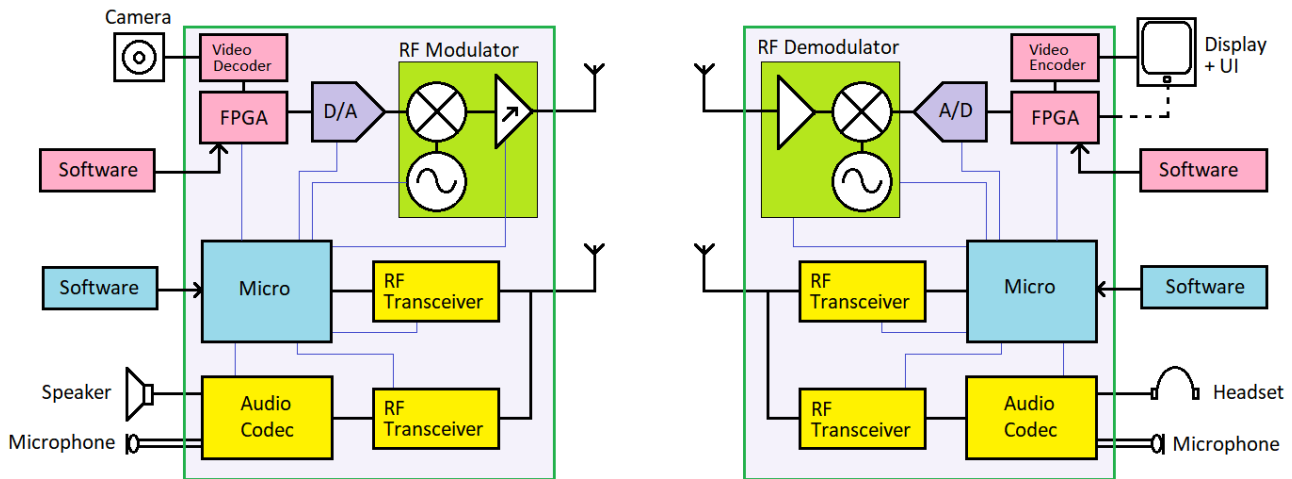
FEATURES

- 2.4GHz Half duplex Audio
- 5.8GHz Analog FM Video

DESCRIPTION

Half duplex audio transceiver and a continuous analog video transmitter-receiver set for in-building and close proximity datalink applications.

BLOCK DIAGRAM

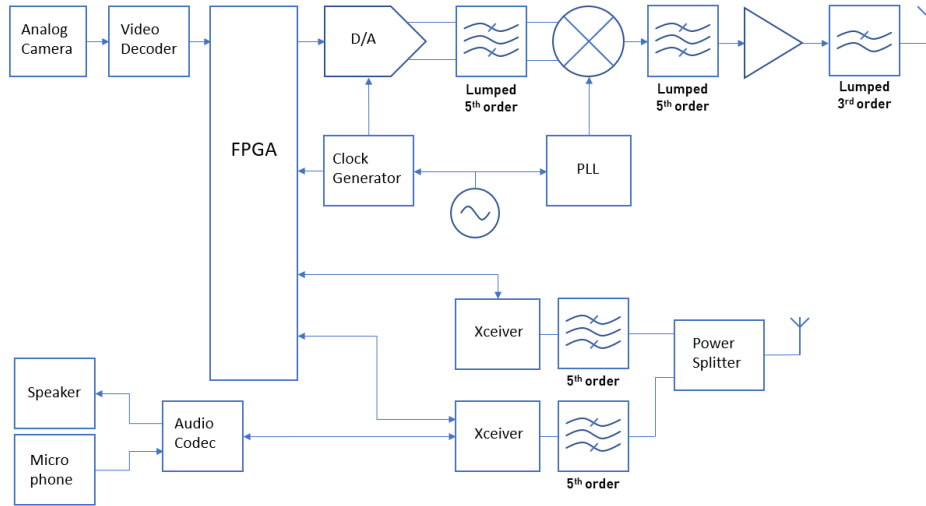


SPECIFICATIONS

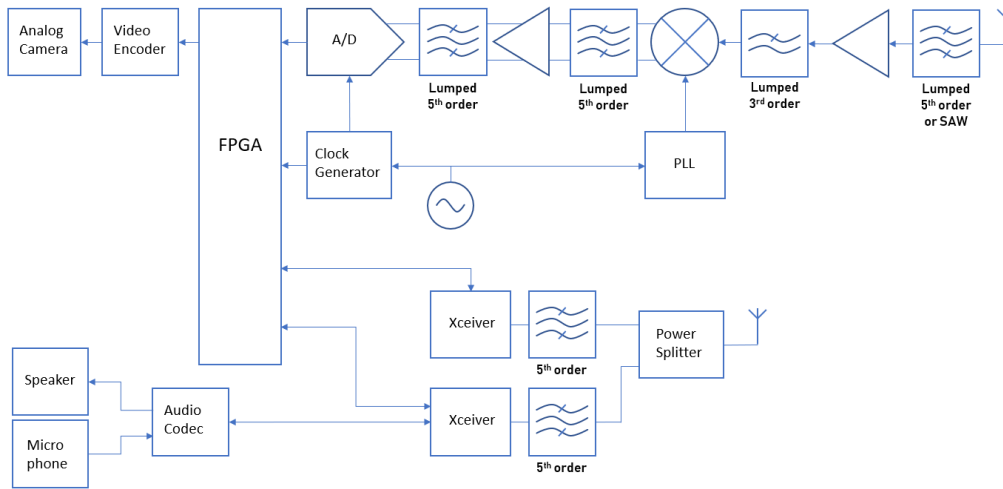
Parameter	Limit	Notes
Frequency	2.4GHz audio transmission 5.8GHz video transmission	
Output Power	+13dBm	
Phase Noise	-115 dBc/Hz @ 1MHz offset	
Frequency Accuracy	± 1 ppm	
Harmonics	-60 dBc	
Supply Voltage	3.3 VDC	

SYSTEM DIAGRAMS

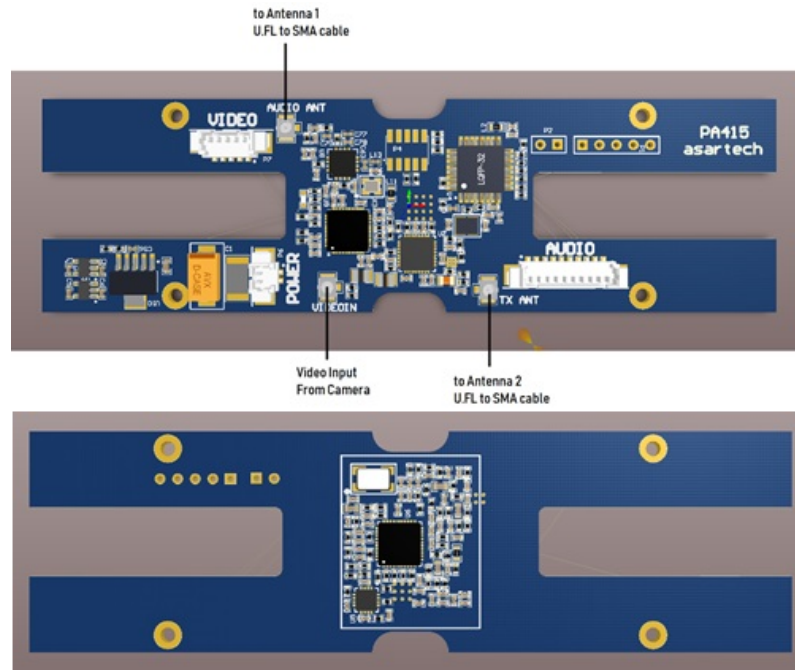
Mobile Unit



Control Unit



MECHANICAL



ELECTROSTATIC SENSITIVE DEVICE
OBSERVE PRECAUTIONS FOR HANDLING

Designed and Manufactured in TURKEY

IMPORTANT

- Specifications subject to change without further notice.
- Data given in this document provides its typical performance. Actual device performance is guaranteed by specifications called out by "customer-specific" part number and the associated acceptance test procedure.

Page | 4