

FB1003

1 GHz Bandpass Filter

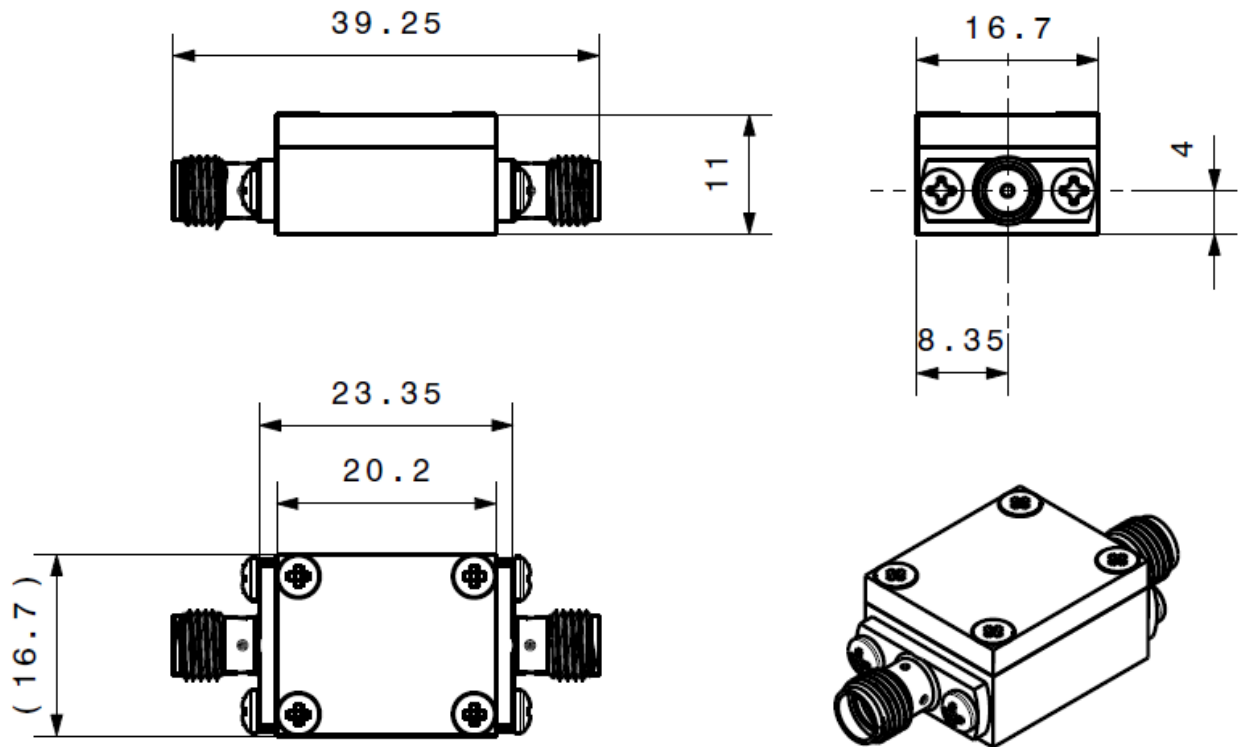
Electrical Specifications at 25C:

	Parameter	Frequency Range	Min	Typ	Max
Passband	Insertion Loss	950-1050 MHz		2.5dB	4dB
	Return Loss	950-1050 MHz		20dB	18dB
	Power Handling	950-1050 MHz			1W
Stopband	Attenuation	DC - 800MHz	60dB	70dB	
	Attenuation	1200-3000MHz	35dB	40dB	

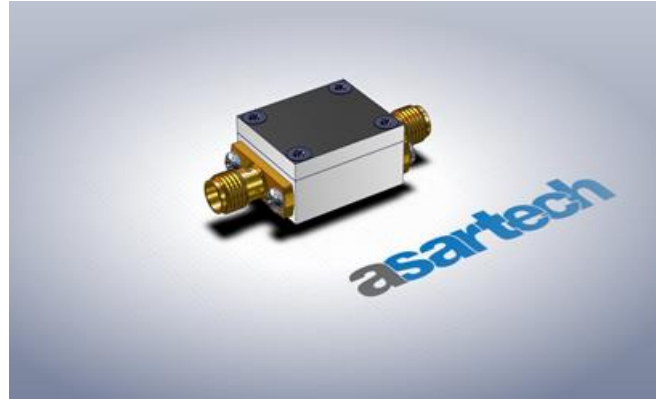
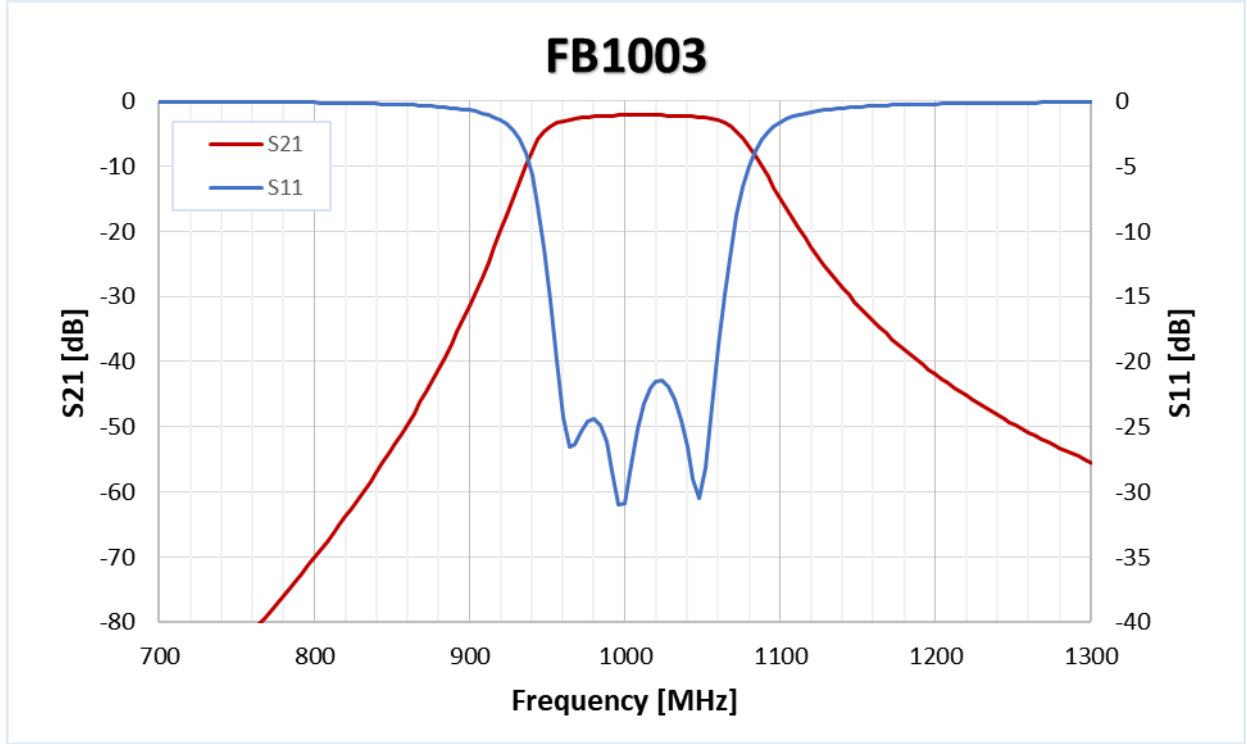
Connectors:

Input Connector	SMA (F) – 50-ohm
Output Connector	SMA (F) – 50-ohm

Outline:



Typical Response:



asartech

Asartech Arge Mühendislik Tasarım A.Ş.

Sanayi Mahallesi, Teknopark Bulvarı, Teknopark İstanbul 1/1A Blok Zemin Kat No:215-216-217, 34906 Pendik,
İSTANBUL/TÜRKİYE
Üniversiteler Mahallesi, 1596. Cadde Hacettepe Teknokent 4. ARGE Binası 95A Kat:3 No:50, 06800 Beytepe Çankaya
ANKARA/TÜRKİYE

Tel: 0(216) 514 57 97 | Fax:0 (216) 514 57 97

www.asartech.com.tr | info@asartech.com.tr

V.D. : Pendik V.N. : 0861045883