

# FL1002

## 400 MHz Lowpass Filter

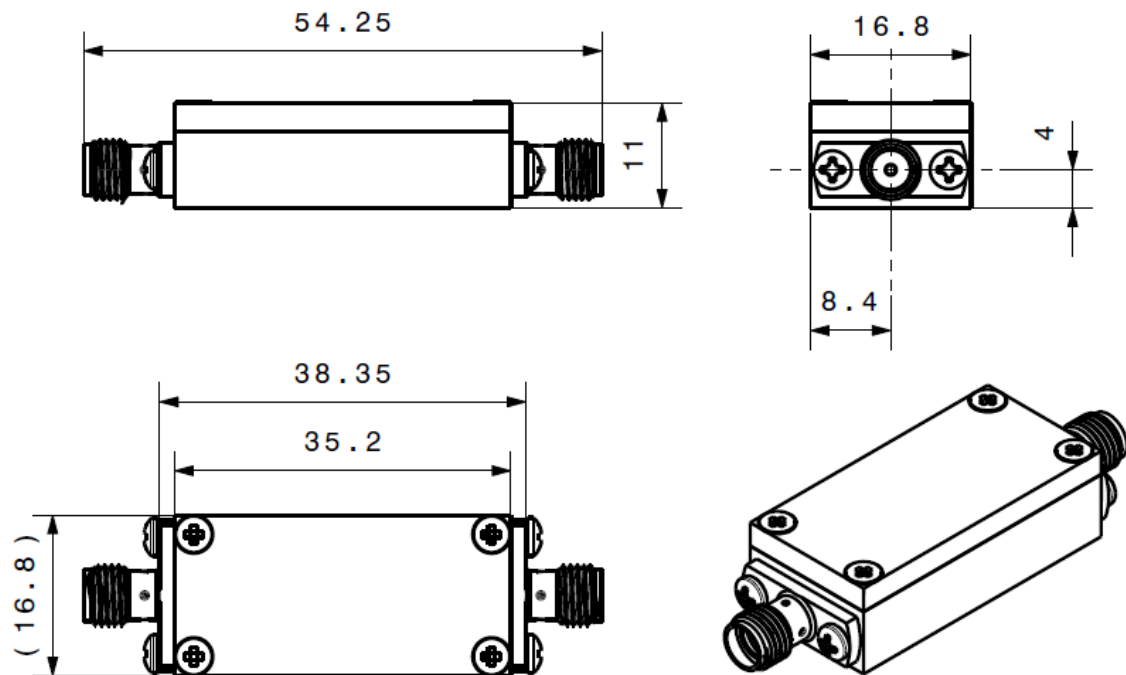
Electrical Specifications at 25C:

	Parameter	Frequency Range	Min	Typ	Max
<b>Passband</b>	Insertion Loss	DC – 400 MHz		0.5dB	1.0dB
	Return Loss	DC – 400 MHz		20dB	18dB
	Power Handling	DC – 400 MHz			5W
<b>Stopband</b>	Attenuation	600 – 3000 MHz	35dB	40dB	

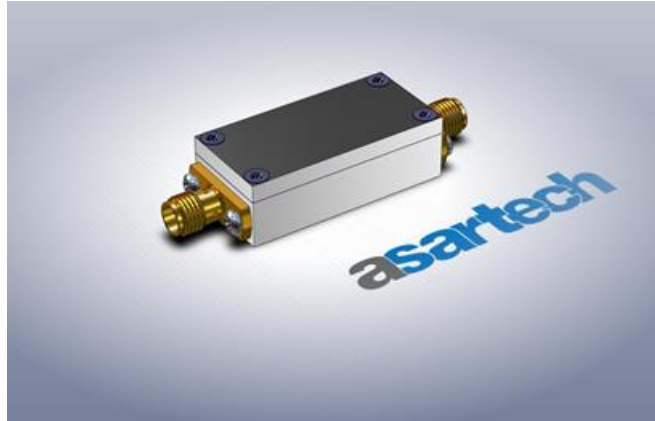
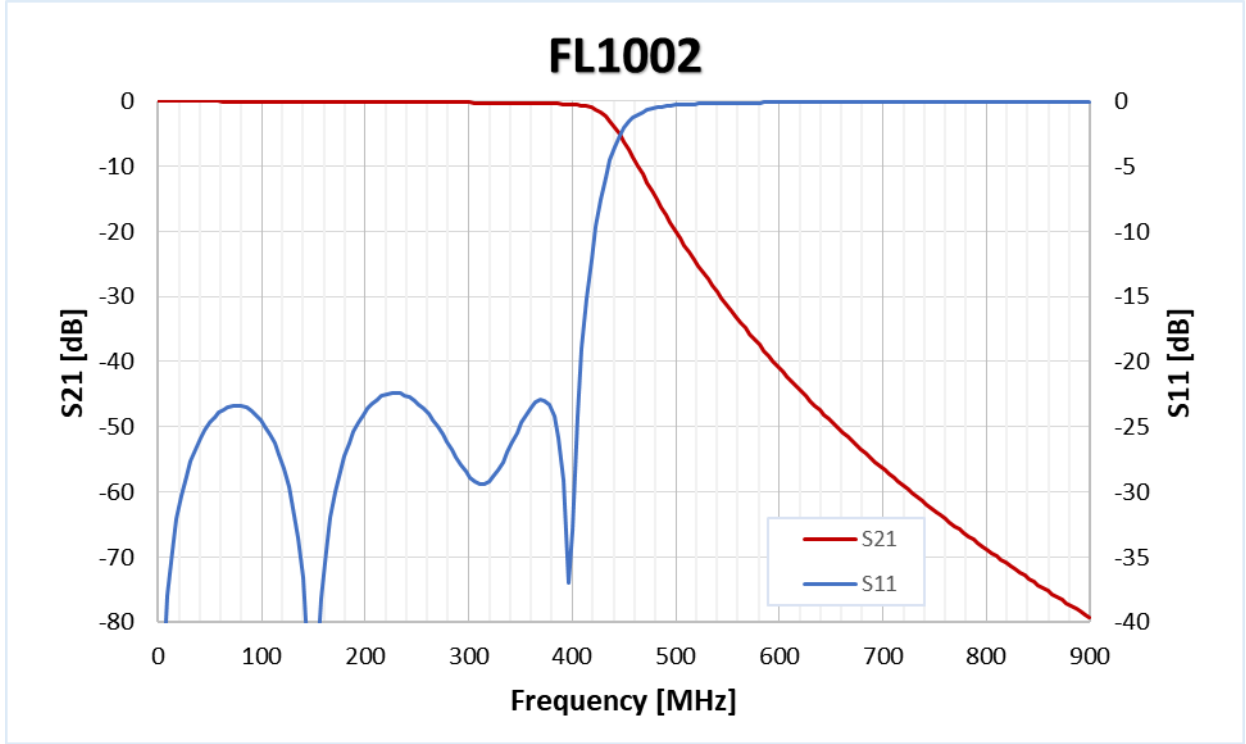
Connectors:

<b>Input Connector</b>	SMA (F) – 50-ohm
<b>Output Connector</b>	SMA (F) – 50-ohm

Outline:



Typical Response:



**asartech**

**Asartech Arge Mühendislik Tasarım A.Ş.**

Sanayi Mahallesi, Teknopark Bulvarı, Teknopark İstanbul 1/1A Blok Zemin Kat No:215-216-217, 34906 Pendik,  
İSTANBUL/TÜRKİYE  
Üniversiteler Mahallesi, 1596. Cadde Hacettepe Teknokent 4. ARGE Binası 95A Kat:3 No:50, 06800 Beytepe Çankaya  
ANKARA/TÜRKİYE

Tel: 0(216) 514 57 97 | Fax:0 (216) 514 57 97

[www.asartech.com.tr](http://www.asartech.com.tr) | [info@asartech.com.tr](mailto:info@asartech.com.tr)

V.D. : Pendik V.N. : 0861045883